

✓ Proven reliability

▶ Plug and play

🪑 Total immersive experience
Motion-texture-vibration

D-BOX and Mercedes-AMG have partnered to bring their vision for the future of entertainment to life through haptic technology, starting with the world's first modular motion platform. Fitting seamlessly under any simulator you already own, this innovative product from D-BOX & Mercedes-AMG is the perfect way to bring your entertainment from static to haptic!



FEATURES

- Four (4) G5 haptic actuators embedded into a sleek platform design
- Easy rig and entertainment seat installation with the included sets of brackets
- Industrial grade components
- Powerful and accurate haptic feedback
- Compatible with any D-BOX ready software

TECHNICAL SPECIFICATIONS

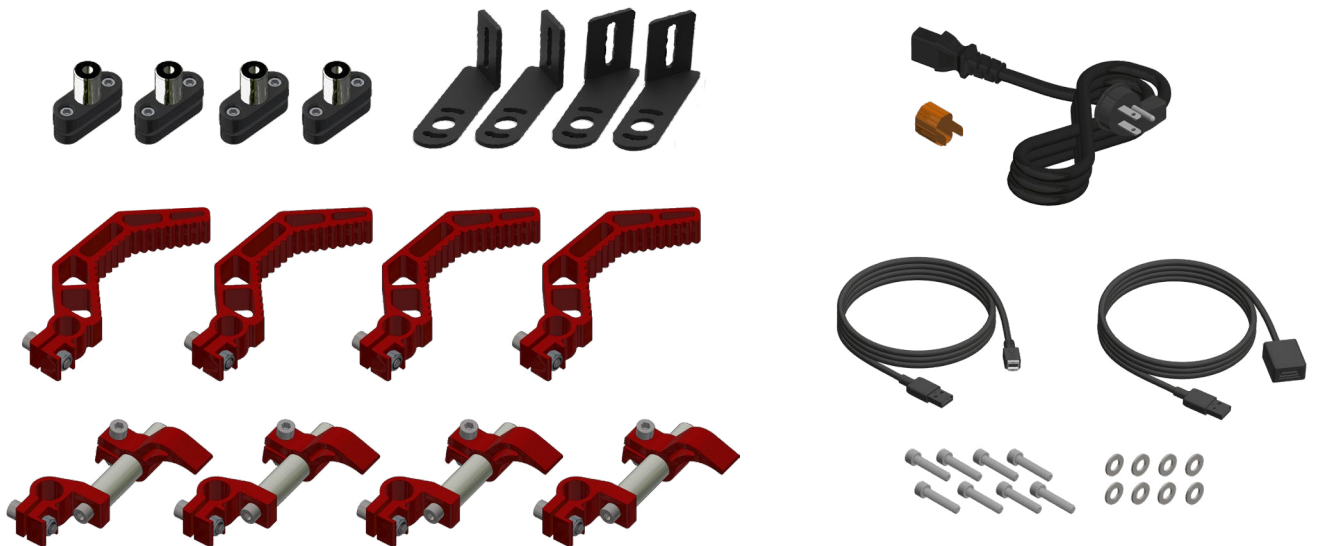
POWER REQUIREMENTS (MAX.)	120V, 50/60 Hz, 8A 230V, 50/60 Hz, 4.2A
PC CONNECTION	USB 2.0 or higher
OPERATING SYSTEM	Windows 10 64-bit (version 1809) or later
HAPTIC SYSTEM	4 x G5 haptic actuators (3DoF) mounted horizontally
MAXIMUM STROKE	1.5 inch / 38.1 mm
MAXIMUM LIFTING CAPACITY	700 lbs (317.5 kg)
MAX ANGULAR DISPLACEMENT	Roll: +/- 4.5° Pitch: +/- 1.5°
MAXIMUM VELOCITY	100 mm/s
MAXIMUM ACCELERATION	+/- 1g-force
FREQUENCY RANGE	0-100 Hz
OPERATING TEMPERATURE RANGE	0°C - 40°C (32°F - 104°F)
OPERATION HYGROMETRY	10 to 85% (Free from condensing)
DIMENSIONS	68.2" (L) x 34.7" (W) x 5.5" (H) 1731mm (L) x 881mm (W) x 140mm (H)
WEIGHT	163 lbs (74kg)

✓ Proven reliability

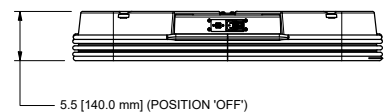
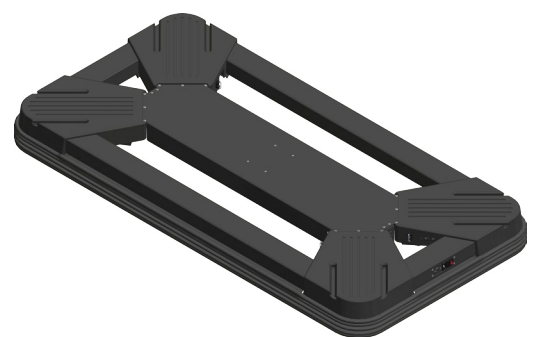
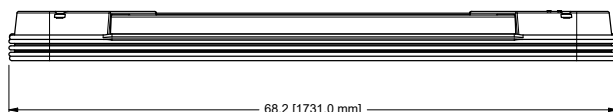
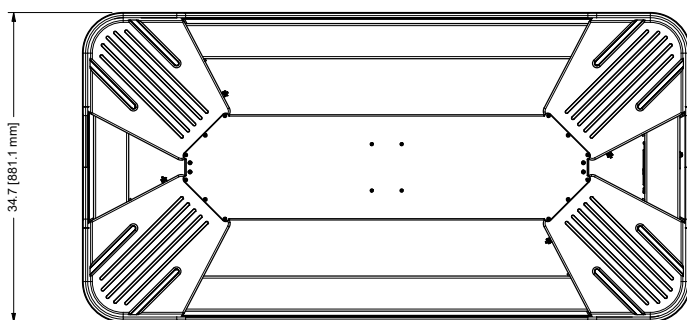
▶ Plug and play

🪑 Total immersive experience
Motion-texture-vibration

ACCESSORIES



DIMENSIONS



© 2024 D-BOX Technologies. All Rights Reserved. Specifications are subject to change without notice. D-BOX is a registered trademark. All other brand or product names are trademarks of their respective owners. Product photos and pictures are for illustration purposes only and may differ from the real product's appearance.



233-914-0003-EN8